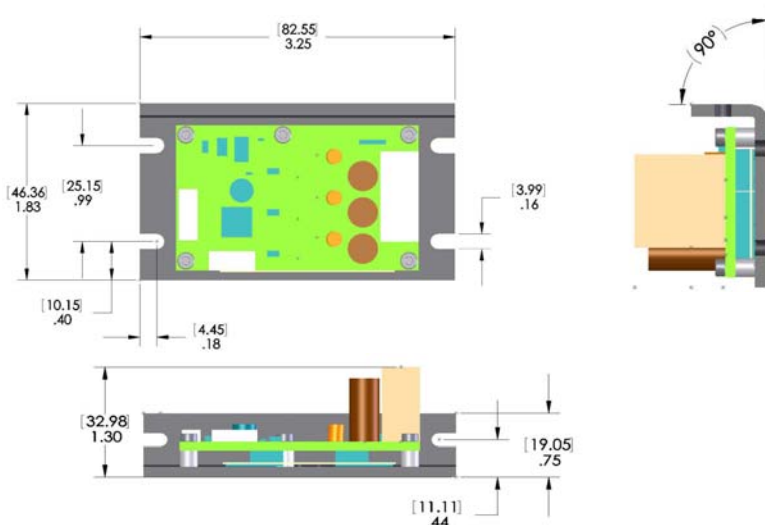
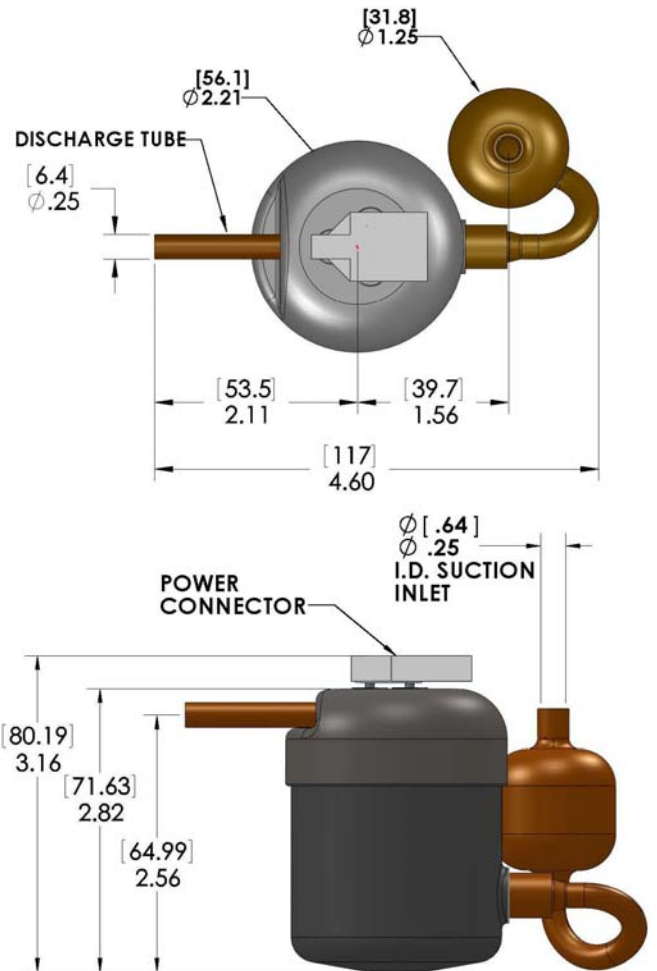


# ASPEN 19-48-000X

## Miniature Rotary Compressor



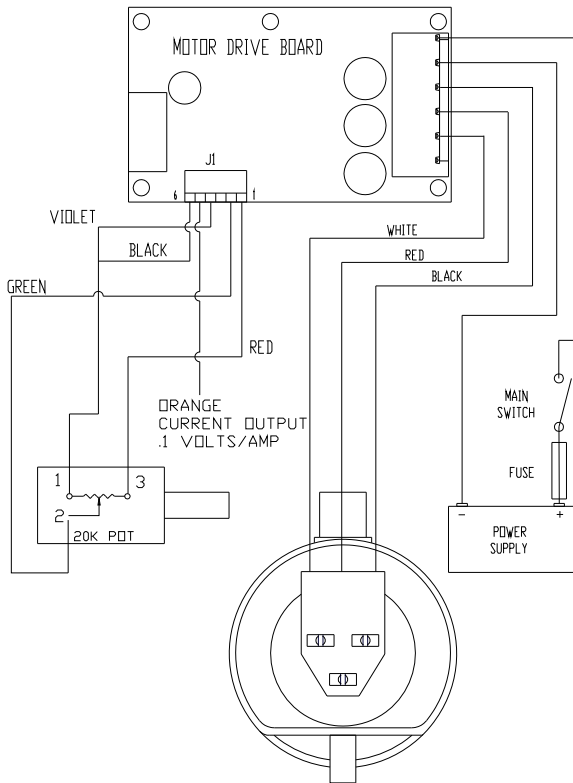
Refrigerant	HFC-134a
Oil Type	POE RL 68H
Oil Quantity	Factory Charged With 21cc's of Emkarate RL68H POE Oil
Motor	Brushless DC
Voltage	48 Vdc (nominal)
Voltage Range	43 – 60 Vdc
Max Current	7 Amps Continuous
Compressor Displacement	1.9 cc
Compressor Speed	Variable
Speed Range	2100 – 6500 RPM
Compressor Weight	680 g
Evaporator Temperature Range	0–75°F (-18–24°C)
Condenser Temperature Range	80-160°F (27-71°C)
Max Discharge Temp.	265°F (130°C)
Max Compression Ratio	8:1
Max Compartment Temp.	130°F (54°C)
Suction Port Size	0.32" ID Cup
Discharge Port Size	0.25" OD Tube
Suction/Discharge Tube Orientation	180° Standard Custom Available
Compressor Mounting	Option Mounting Bracket Available
Motor Drive Type	Sensorless
Analog Voltage Speed Command (Linear)	0 - .6 VDC = OFF .7 VDC = ~2100 RPM 4.5 VDC = ~6500 RPM
Drive Board Footprint	1.5" x 2.5"
Drive Board Weight	1.0 oz (28 g)
Drive Board Heat Sink	Anodized Aluminum
Heat Sink Footprint	1.83" x 3.25"
Heat Sink Weight	1.4 oz (39 g)



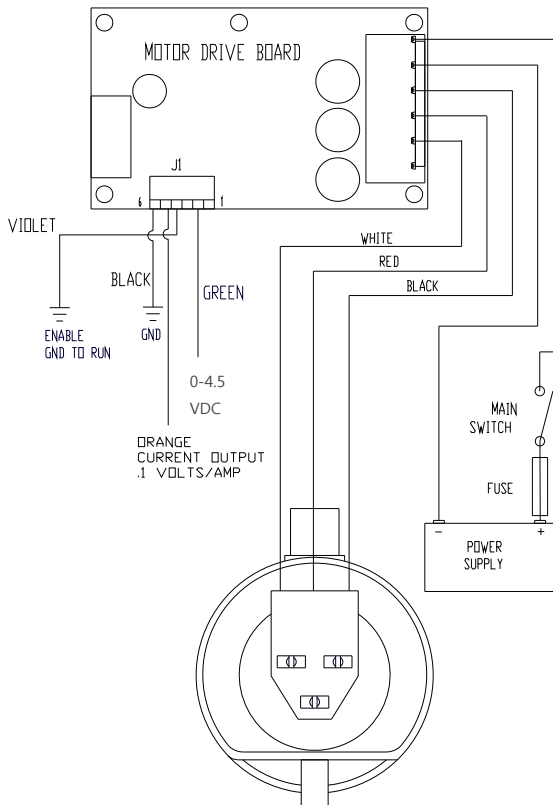
### Application Notes:

1. Drive Board must not be subject to corrosive or wet environments. Drive board is thermally protected, however continuous airflow over the drive board and heat sink is recommended.
2. Compressor is supplied with 21cc's of Emkarate RL68 POE oil. Additional oil may be required if operating compressor in systems with large internal volumes or areas that oil will gather prior to being returned to the compressor

# ASPEN 19-48-000X



**Wiring Option 1** (User supplied potentiometer)



**Wiring Option 2** (User supplied speed input voltage)



Exclusive sale by



**Termotek AG**  
Im Rollfeld 6  
D 76532 Baden-Baden  
Germany  
Phone: +49 7221 9711-0  
Fax: +49 7221 9711-111  
www.termotek-ag.com  
info@termotek-ag.com